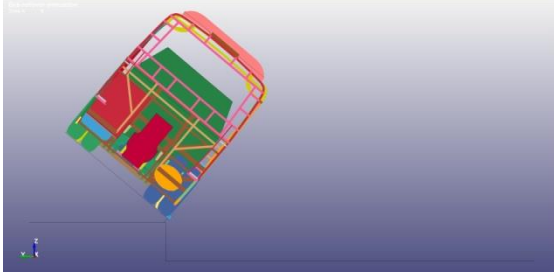
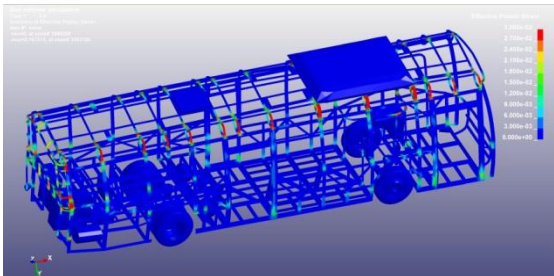
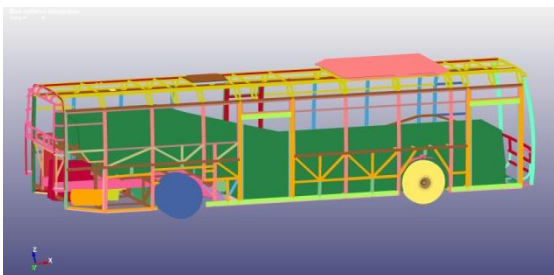
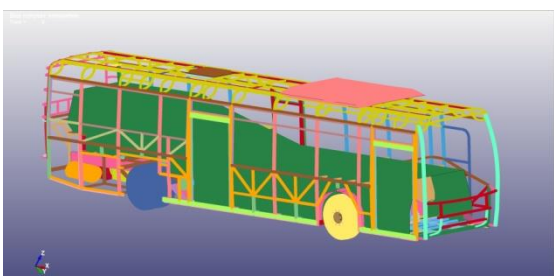
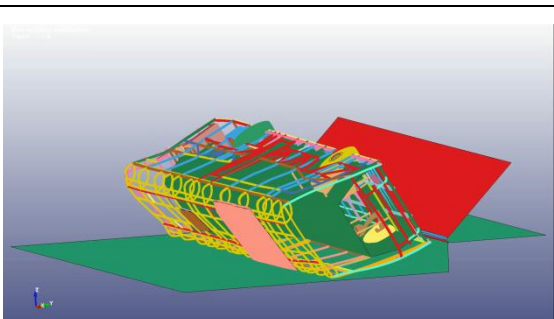
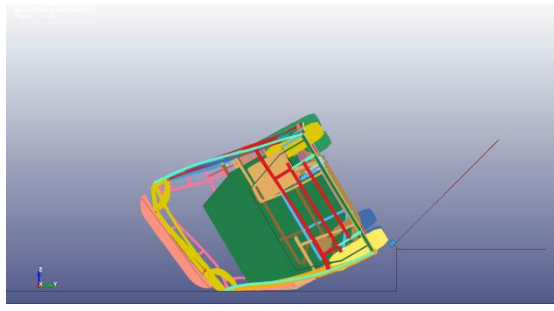
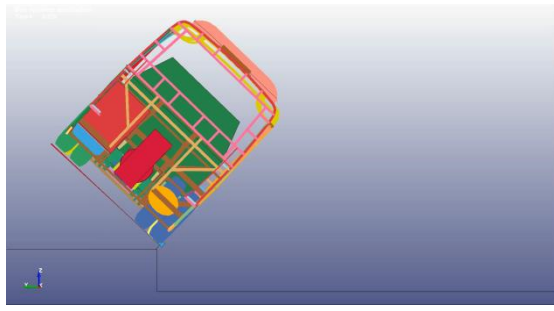
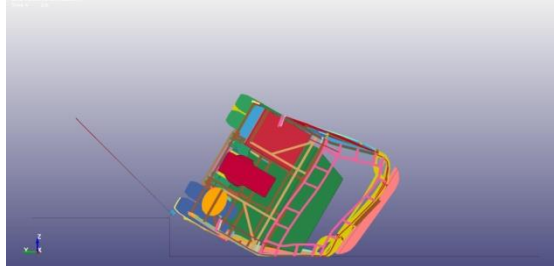
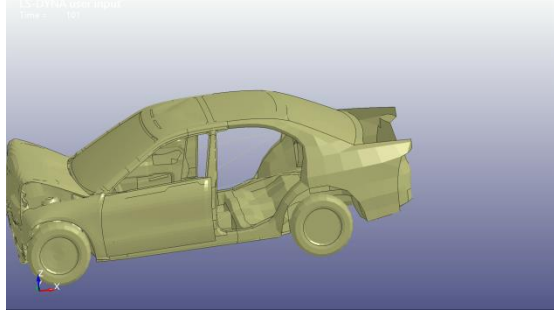
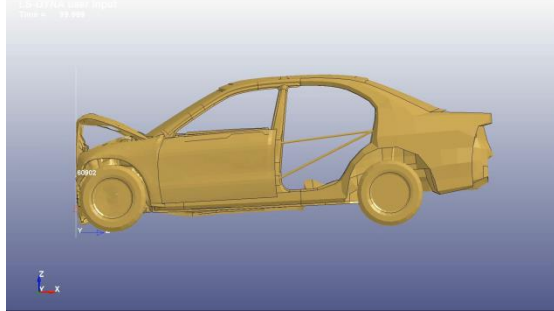
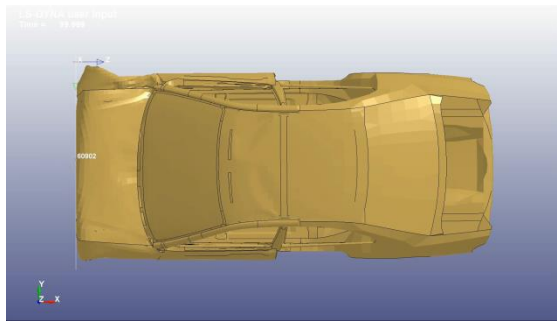
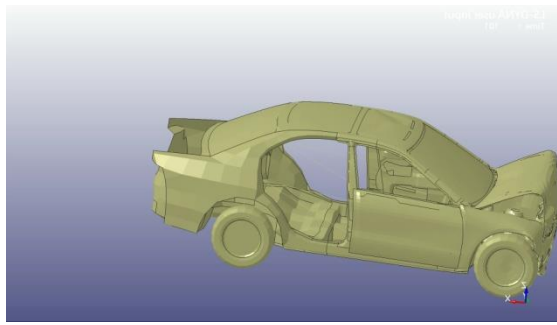
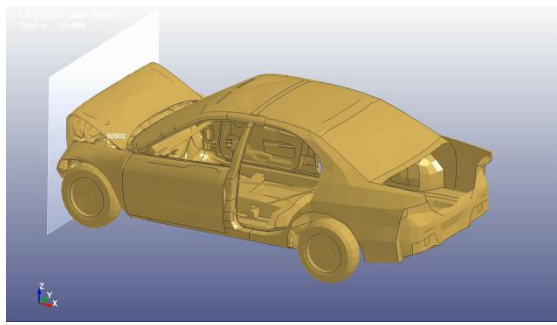
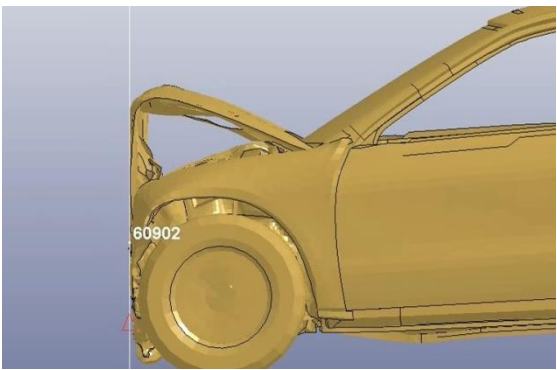
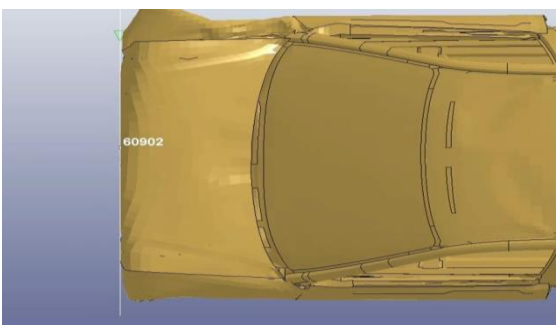


# 「算盡天下事—創意思考 X 高速運算」展示圖文

## ■ 單元名稱：交通環境

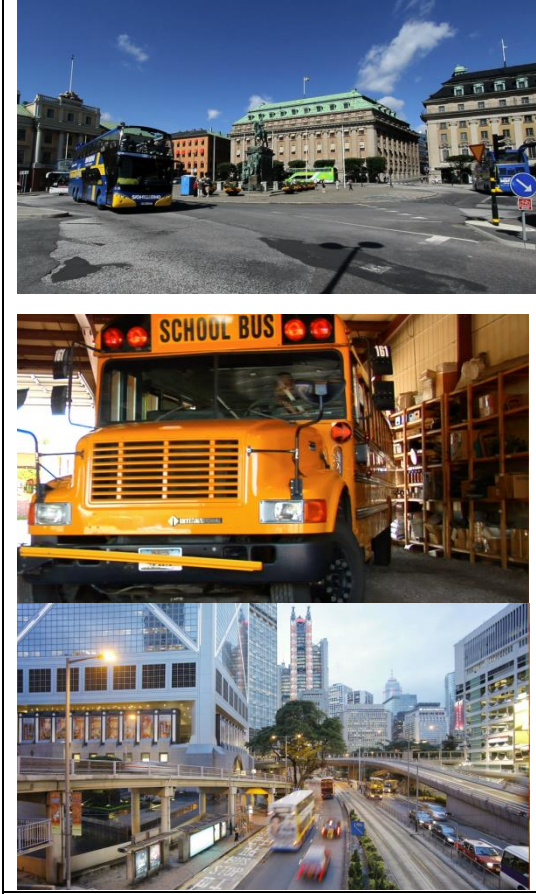


影像	說明	影像來源
	大客車翻覆模擬	國家高速網路與計算中心
		
		
		
		

影像	說明	影像來源
	汽車碰撞模擬	國家高速網路 與計算中心
		
		
		
		

影像	說明	影像來源
 <p>Top-down view of a yellow car model. The car is oriented horizontally. The ID number '60902' is visible on the left side of the car. A small 3D coordinate system (X, Y, Z) is located in the bottom-left corner.</p>		國家高速網路與計算中心
 <p>Left-side view of a yellow car model. The car is oriented horizontally. The ID number '60902' is visible on the side of the car. A small 3D coordinate system (X, Y, Z) is located in the bottom-right corner.</p>		
 <p>Front-left view of a yellow car model. The car is oriented horizontally. The ID number '60902' is visible on the front-left side of the car. A small 3D coordinate system (X, Y, Z) is located in the bottom-left corner.</p>		
 <p>Close-up front-left view of a yellow car model, focusing on the front wheel and fender area. The ID number '60902' is visible on the fender. A small 3D coordinate system (X, Y, Z) is located in the bottom-left corner.</p>		
 <p>Top-down view of a yellow car model, showing a different perspective from the first image. The ID number '60902' is visible on the left side of the car. A small 3D coordinate system (X, Y, Z) is located in the bottom-left corner.</p>		

影像	說明	影像來源
    		<p>東臺傳播</p>



影像	說明	影像來源
		
		<p><u>William Murphy</u></p>
		<p><u>William Murphy</u></p>

影像	說明	影像來源
		<p><u>Tony Hisgett</u></p>
		<p><u>ThoseGuys119</u></p>